

# PIONEER™

Super-LED® Floodlights, Spotlights & Mounting

**WHELEN®**  
MANUFACTURED IN AMERICA

**NEW**

Side Mount Poles

# Pioneer™ & Pioneer Plus™ Series

## Spotlights, Floodlights and Combination Spot/Floodlights



5 Year  
Heavy-Duty  
Warranty

Now you can upgrade your outdated halogen or HID lighting. Floodlights available in three voltages: 12, 24 VDC or 120 VAC and Spotlight and combination Spotlight/Floodlight models.

- Floodlights are available in four intensities.
- Spotlights are available in single panel 2° and 8° models and dual panel flood and combination Floodlight/8° Spotlight.
- Solid-state electronics and LEDs are rugged and reliable, eliminating the high cost of lamp or ballast replacement.
- Pioneer floodlights are instant On/Off eliminating the ramp up time and high current in-rush required by high-intensity discharge and other light sources.
- Pioneer provides long life LED operation with low current draw and low operating temperature.
- Pioneer LEDs operate at very high light efficiency producing high lumen output per watt.
- Floodlights can be flashed for added secondary warning in "Clearing Right of Way" mode. Optional PFLASH, external flasher required.
- Rugged die cast aluminum, powder coated housing, available in White or Black.
- Available in 12, 24 VDC and UL® certified 120 VAC. Many patents pending.
- 120 VAC models will operate using a generator to provide floodlighting at a distance away from the vehicle's voltage source without significant voltage drops.
- A wide range of mounting options.
- Removable handle standard on pedestal, pole and tripod mount models.
- Recessed housing mounts straight out or 15° fixed downward angle to maximize light effectiveness.
- Pioneer Series simulates bright midday summer sunlight.
- No ultraviolet light to attract insects during nighttime operation.
- 20' cable, DC models.
- DC Pioneer models meet SAE 1113-42, Class 5 testing for EMI. (Class 5 is the lowest specification threshold) and they emit no EMI. They consume pure DC current, no switching, no oscillation for total clean power consumption.
- HDP® Heavy-Duty Professional five-year warranty.



### PFA1

Pioneer Floodlight



### PFP2

Pioneer Plus  
Dual Floodlight



### PCP2

Pioneer Plus  
Combination  
Floodlight and  
8° Spotlight



### PSP1

Pioneer Plus  
8° Spotlight



### PTP1

Pioneer Plus  
2° Spotlight



### PCP3

Pioneer Max™  
Combination  
Dual Pioneer Plus  
Floodlights (upper) and  
Dual 8° Spotlights (lower)



## Pioneer™ Series Lightheads (Mounting Purchased Separately)

MODEL	SERIES	LAMP TYPE	HOUSING COLOR	VOLTS	AMPS	WATTS	LUMENS
PFA1	Pioneer Floodlight	Single	White	12.8	3.1	39.7	3,700
PFA2		Dual			6.1	78.8	7,400
PFA14		Single		25.6	1.5	39.7	3,700
PFA24		Dual			3	78.1	7,400
PFA1B		Single	Black	12.8	3.1	39.7	3,700
PFA2B		Dual			6.1	78.1	7,400
PFA14B		Single		25.6	1.5	39.7	3,700
PFA24B		Dual			3	78.1	7,400
PFP1	Pioneer Plus™ Floodlight	Single	White	12.8	6.5	73.2	8,100
PFP2		Dual			13	166.4	16,000
PFP14		Single		25.6	3.05	83.2	7,400
PFP24		Dual			6.5	166.4	16,000
PFP1B		Single	Black	12.8	6.5	83.2	8,100
PFP2B		Dual			13	166.4	16,000
<b>120 VOLT AC UL® CERTIFIED MODELS</b>							
PFP1AC	Pioneer Plus Floodlight	Single	White	120 AC	.6	75	7,500
PFP2AC		Dual			1.2	150	15,000
PSP1AC	Pioneer Plus 8° Spotlight	Single			.6	75	7,500
PCP2AFS	Pioneer Plus Spotlight/Floodlight	Dual Flood - Left Spot - Right			1.2	150	15,000
PCP2ASF		Dual Flood - Right Spot - Left			1.2	150	15,000
PCP3A	Pioneer Max Spotlight/Floodlight	Combination dual Floodlight & dual 8° Spotlight			Black	1.5	180
PCP3AB			1.5	180		17,000	
<b>SPOTLIGHT AND DUAL SPOT/FLOODLIGHT MODELS</b>							
PTP1	Pioneer Plus Spotlight	Single 2°	White	12.8	6.5	83.2	8,000
PSP1		Single 8°			6.5	75	8,000
PCP2	Pioneer Plus Spotlight/Floodlight	Dual combination Floodlight & 8° Spotlight			12	75/75	8,000/8,000 16,000 total
PCP3	Pioneer Max Spotlight/Floodlight	Combination dual Floodlight & dual 8° Spotlight	White	12.8	16.5	225	20,000
PCP3B			Black				
PCP34			White	25.6	8.2	210.4	20,000
PCP34B			Black		8.2	210.4	20,000

See page 6 for lighthead dimensions

# Pioneer™ & Pioneer Plus™ Mounting

Most mountings are shown with lightheads which are purchased separately.

## PBAPEDA/ PBAPEDD

Pedestal  
mount  
adapter



## PBA103/PBA203

Semi recessed mount  
with chrome trim ring



## PBA0127/PBA20130

2-3/4" & 3" Radius brow  
mounting bracket



## PBA106U/PBA206U

Universal bail bracket



## PFP1LP

Low profile pedestal/swivel mount



## Mounting Options (Lightheads Purchased Separately)

MODEL #	SERIES	LAMP	DESCRIPTION
PBAPEDA	Mounting options only for Pioneer and Pioneer Plus Lightheads	Single & Dual	Pedestal mount adapter for AC models, includes 20' of 3-C cable
PBAPEDD			Pedestal mount adapter for DC models, includes 20' of 4-C cable
PBA103	Pioneer and Pioneer Plus Lightheads	Single	Semi-recessed mount with Chrome trim ring, housing mounts the floodlights straight out or at 15° downward angle.
PBA203		Dual	
PBA0127	Pioneer and Pioneer Plus Lightheads	Single & Dual	2-3/4" radius brow mounting brackets, adjustable to 20° downward angle.
PBA0130		Single & Dual	3" radius brow mounting brackets, adjustable to 20° downward angle.
PBA106U	Pioneer and Pioneer Plus Lightheads	Single	Universal bail bracket tilts up/down, adjustable to 25° upward or downward angle.
PBA206U		Dual	

## Brow Mounting Brackets for Specific Chassis Manufacturer (Lightheads Purchased Separately)

MODEL #	SERIES	LAMP	DESCRIPTION
PBASPRTN	Pioneer or Pioneer Plus	Single or Dual	Spartan Motors chassis
PBAPIRCE			Pierce Manufacturing chassis
PBAFERA			Ferrara Fire chassis
PBAHME			HME chassis
PBASUT			Sutphen Corp and Sutphen Towers chassis
PBAE1			Emergency One chassis
PBAE1Q			Emergency One Quest chassis
PBAKME			KME Kovatch Mobile Equipment chassis

## Pedestal/Swivel Mounting (Lighthead Included with Mounting)

MODEL #	SERIES	LAMP	LAMP TYPE	VOLTAGE	SWITCH	HOUSING
PFA1LP	Pioneer	Single	Floodlight	12 VDC	-	White
PFA1LPB					-	Black
PFP1LP	Pioneer Plus	-			White	
PFP1LPB		-			Black	
PSP1LP	Pioneer Plus	Single	8° Spotlight	12 VDC	-	White
PSP1LPB					-	Black
PTP1LP	Pioneer Plus	Single	2° Spotlight	12 VDC	-	White
PTP1LPB					-	Black
PSP1ALP	Pioneer Plus	Single	8° Spotlight	120 VAC	-	White
PSP1ALPB					-	Black

## Freedom® Lightbar Mounting



Designed for the Freedom LED Lightbar flashing/steady-burn flasher module. Mount one or two lamp Pioneer or Pioneer Plus floodlights with 20° adjustable angle. For lightbars 55" and up. See current price list.

## Flasher Option



MODEL #	DESCRIPTION
PFLASH	Pioneer flasher allows floodlights to be flashed for added secondary warning in "Clearing Right of Way" mode.

### Pedestal/Pole Mounting (Lighthouse Included with Mounting)

#### PFP2P

Pole/Ped mount with handle, without switch



#### PFP2P1

Pole/Ped mount with handle and switch



#### PCP3P1

Pole/Ped mount with handle and switch



## Side Mount

- Side Mount Pedestal available in AC or DC models with 5" or 7" non-adjustable stand-off mounting brackets.
- Wire internal (exits bottom), external wire (exits side of knuckle) adapter.
- Three conductor internal wire input for AC. Four conductor for DC models.
- Requires lighthouse and pedestal mount adapter, purchased separately.



#### 87711AB

Side mount with 5" stand off bracket. Shown with PCP2AP1B lighthouse and pedestal mount adapter.

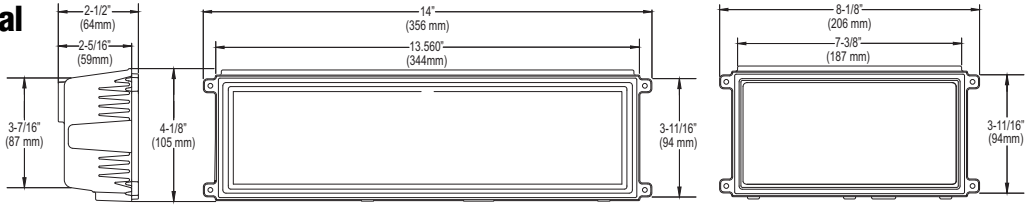
MODEL #	SERIES	LAMP	LAMP TYPE	VOLTAGE	SWITCH	HOUSING			
PFA1P	Pioneer	Single	Floodlight	12 VDC	-	White			
PFA1PB					-	Black			
PFA1P1					On/Off	White			
PFA1P1B					On/Off	Black			
PFA2P					-	White			
PFA2PB					-	Black			
PFA2P1	On/Off	White							
PFA2P1B	On/Off	Black							
PFP1P	Pioneer Plus	Single			8° Spotlight	-	White		
PFP1PB						-	Black		
PFP1P1						On/Off	White		
PFP1P1B						On/Off	Black		
PFP2P			-			White			
PFP2PB			-			Black			
PFP2P1		On/Off	White						
PFP2P1B		On/Off	Black						
PSP1P		Pioneer Plus	Single			Combination flood and 8° spotlight	-	White	
PSP1PB							-	Black	
PSP1P1							On/Off	White	
PSP1P1B							On/Off	Black	
PCP2P	-				White				
PCP2PB	-				Black				
PCP2P2	Dual On/Off	White							
PCP2P2B	Dual On/Off	Black							
PCP3P	Pioneer Max	Dual x 2	Combination dual Floodlight & dual 8° Spotlight	-	White				
PCP3P1				On/Off	Black				
PFP1AP	Pioneer Plus	Single		Floodlight	120 VAC		-	White	
PFP1APB							-	Black	
PFP1AP1						On/Off	White		
PFP1AP1B						On/Off	Black		
PFP2AP						-	White		
PFP2APB						-	Black		
PFP2AP1		On/Off				White			
PFP2AP1B		On/Off				Black			
PSP1AP		Pioneer Plus				Single	8° Spotlight	-	White
PSP1APB								-	Black
PSP1AP1			On/Off					White	
PSP1AP1B			On/Off					Black	
PCP2AP	-		White						
PCP2APB	-		Black						
PCP2AP1	On/Off	White							
PCP2AP1B	On/Off	Black							
PCP3AP	Pioneer Max	Dual x 2	Combination dual Floodlight & dual 8° Spotlight	-		White			
PCP3APB				-		Black			
PCP3AP1				On/Off		White			
PCP3AP1B				On/Off		Black			

### Side Mount (Lighthouse Purchased Separately)

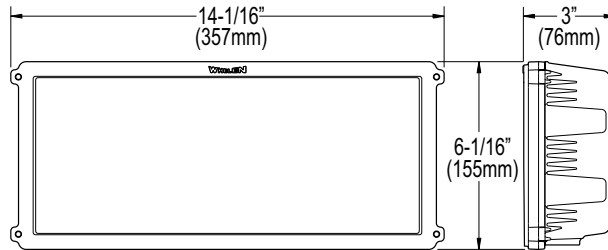
MODEL #	SERIES	LAMP	WIRE EXIT	VOLTAGE	BRACKET	
87711AB	Side mounting option only for Pioneer and Pioneer Plus Lighthouses	Single or Dual Lighthouse	Internal	12 VDC	5"	
87711BB					7"	
87711AD					External	5"
87711BD						7"
87711AA			Internal	120 VAC	5"	
87711BA					7"	
87711AC					External	5"
87711BC						7"

## Pioneer™ & Pioneer Plus™ Lighthouse Dimensions

### Single & Dual Pioneer

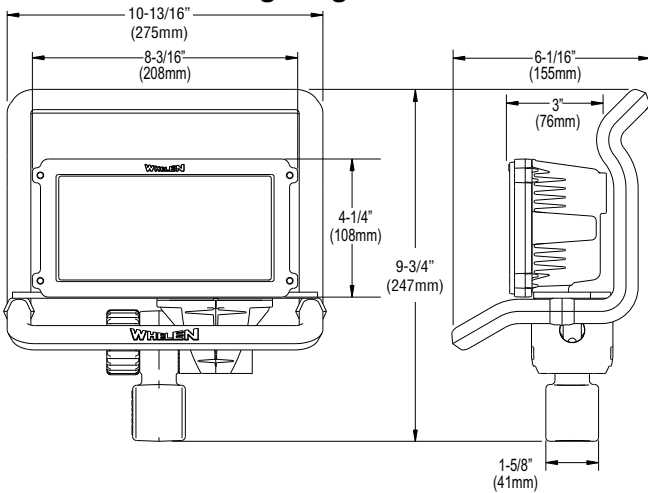


### Pioneer Max

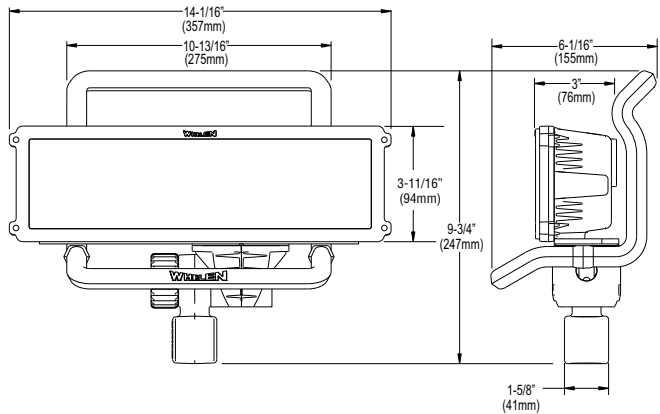


## Pioneer™ Series Mounting Dimensions

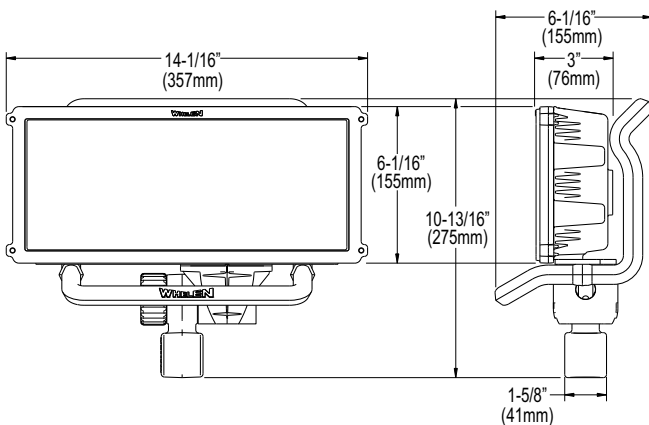
### Pedestal/Pole - Single Lighthouse



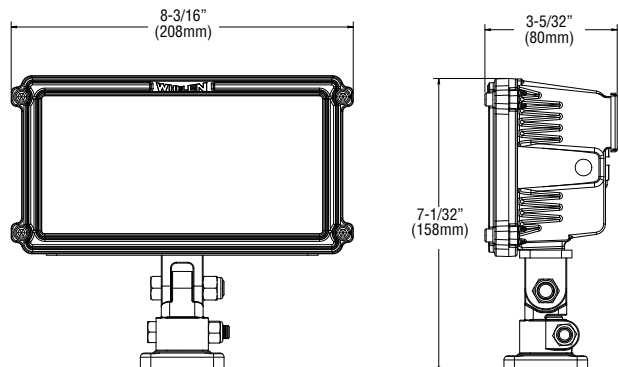
### Pedestal/Pole - Dual Lighthouse



### Pedestal/Pole - Pioneer Max™

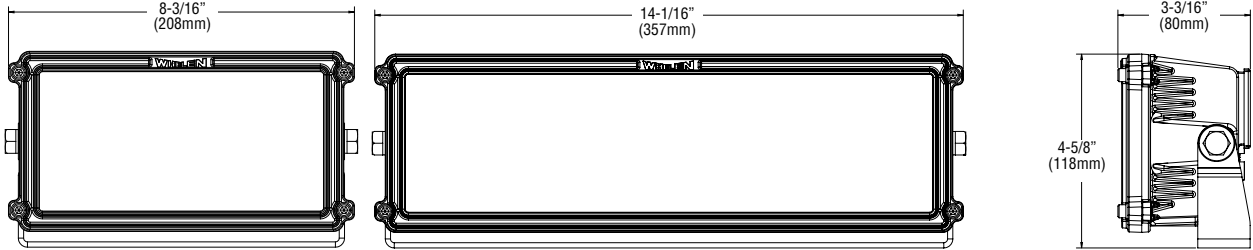


### Low Profile Pedestal/Swivel

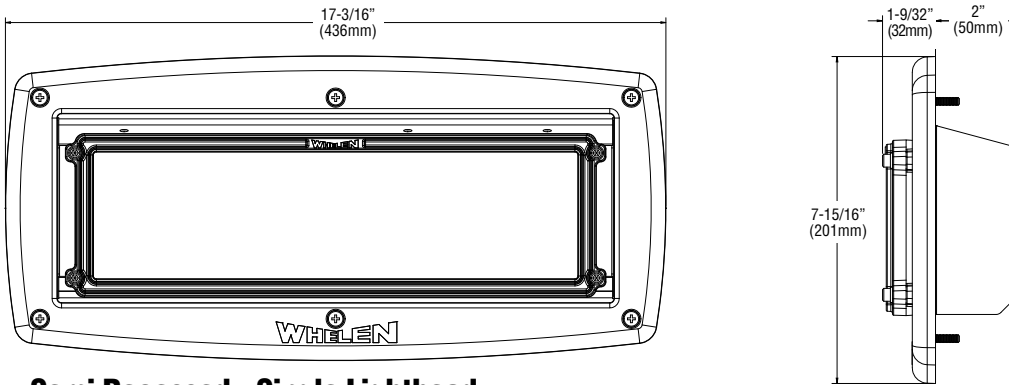


# Pioneer™ Series Mounting Dimensions

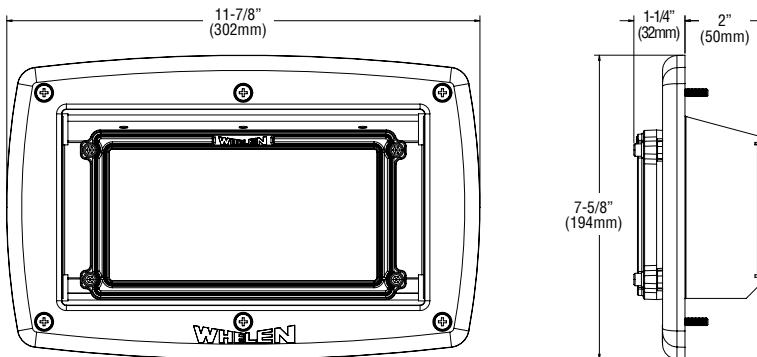
## Universal Bail Bracket - Single & Dual Lighthead



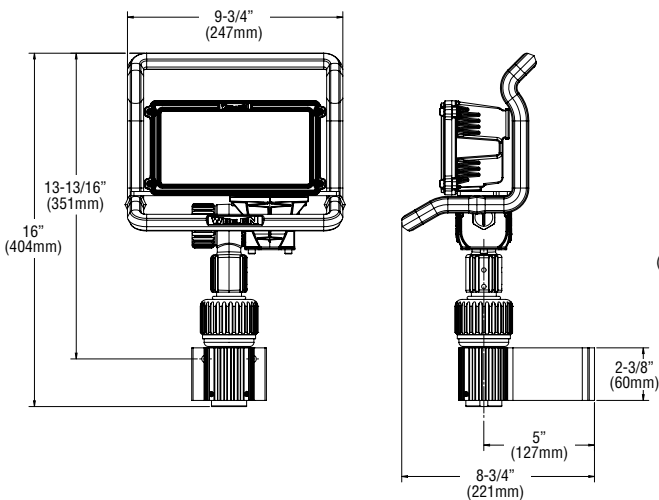
## Semi Recessed - Dual Lighthead



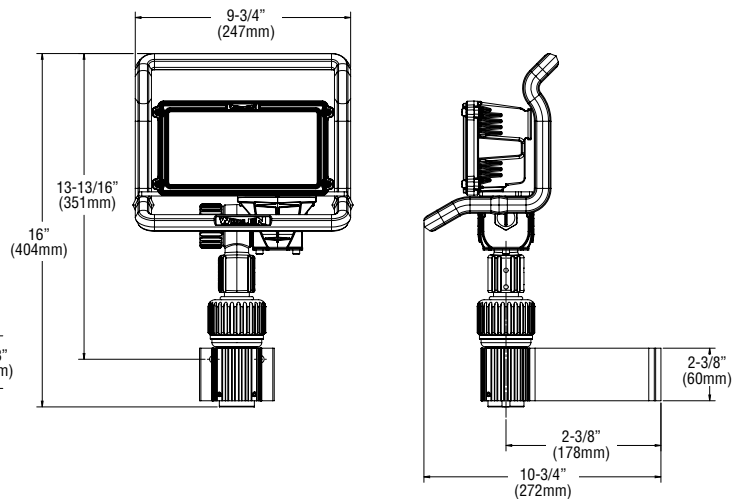
## Semi Recessed - Single Lighthead



## Side Mount - Single Lighthead with 5" Bracket



## Side Mount - Single Lighthead with 7" Bracket



# Pioneer Plus™ Surface Mount Series

## Combination Spot/Floodlights

Whelen introduces the first complete series of Surface Mount combination Spot/Floodlight offering the lowest profile and amperage draw on the market today! New designs eliminate body cut outs and add moisture-resistant protection for your vehicle.

- New combination spot/flood (patent pending) optic design projects light directly down at 5° producing illumination to the side of the vehicle arching upward to 90° pattern of light.
- All models are true surface mount requiring no body cut out.
- Lights feature built-in nylon screw grommets eliminating galvanic corrosion.
- Uniquely designed molded two part silicone grommet seals the 1" wire entry into the body.
- DC (Single or Dual) Pioneer models meets SAE1113-42 Class 5 testing for EMI.
- Engineered thermal design keeps LED's running cool and efficiently.
- Solid-state electronics and LEDs.
- Two-foot (609mm) cable.
- Pioneer lighthoods are instant On/Off eliminating the ramp up time and high current in-rush.
- Rugged extruded aluminum housing.
- **AC models are coming soon** pending UL® approval.
- Optional outer flange available in Chrome or Black.
- Five-year HDP® Heavy-Duty Professional unconditional warranty.



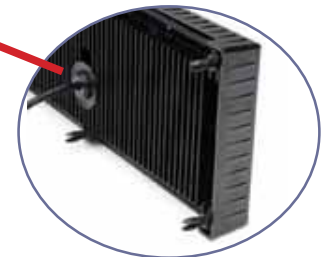
**PCPSM2C**  
Dual panel with Chrome housing



**PCPSM1B**  
Single panel with Black housing



Unique thermal plastic rubber grommet seals 1" wire entry

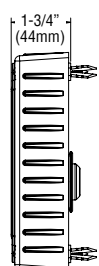
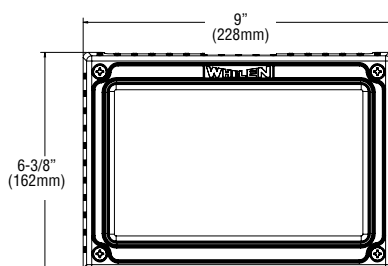
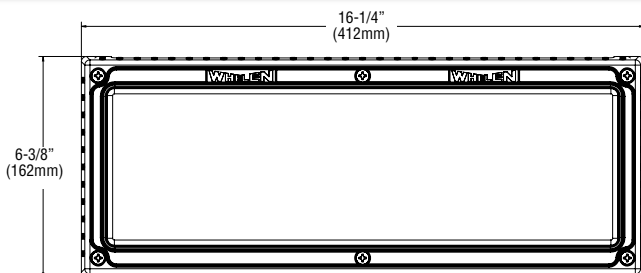


Unique screw grommet system and grommet seals tight to vehicle's body



MODEL	SERIES	LAMP TYPE	HOUSING	VOLTS	AMPS	WATTS	LUMENS
PCPSM1C	Pioneer Surface Mount Flood/Spot light	Single	Chrome	12 VDC	6	76	8,000
PCPSM2C		Dual			12	154	16,000
PCPSM1B		Single	Black		6	76	8,000
PCPSM2B		Dual			12	154	16,000
PCPSM14C		Single	Chrome	25.6 VDC	3	76	8,000
PCPSM24C		Dual			6	154	16,000
PCPSM14B		Single	Black		3	76	8,000
PCPSM24B		Dual			6	154	16,000

**120 VAC Models Pending UL® Approval and Will Be Coming Soon.**



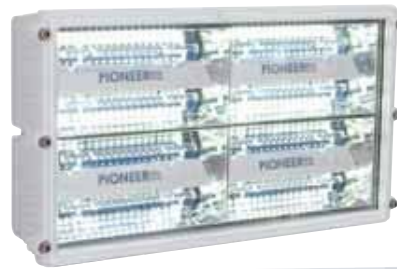


# Pioneer Quad™ 4 Lamp - 120 AC Series

## Floodlight and Combination Spot/Floodlights

The largest and brightest Pioneer in our family of high intensity spot and flood lighting with four panels of Pioneer Plus lighthead. Guaranteed to give you the illumination you need for the tough job you do.

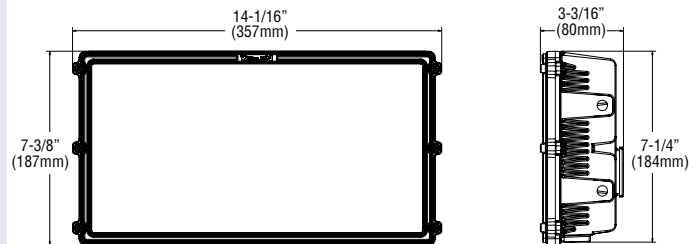
- Four high intensity Pioneer Plus lamps for Flood lighting and combination Flood/Spot lighting.
- Floodlights are UL® approved.
- Spot/Floodlight models pending UL approval.
- Rugged die cast aluminum, powder coated housing includes supporting hardware
- 120 AC models will operate using a generator to provide floodlighting at a distance away from the vehicle's voltage source without significant voltage drops.
- Engineered thermal design keeps LEDs running cool and efficiently, eliminating decreased diode output over long hours of operation.
- 3/4" NPT pedestal/pole mount fits most industry standard poles.
- Removable handle standard on pole/pedestal mount.
- Pioneer simulates bright midday summer sunlight.
- Universal side bail bracket tilts  $\pm 25^\circ$  up or down.
- Five-year HDP® Heavy-Duty Professional unconditional warranty.



**PFP4AW  
PCP4AW**



**PFP4AWP1  
PCP4AWP1**  
Pole/Pedestal Mount



MODEL	SERIES	MOUNTING	SWITCH	HOUSING COLOR	VOLTS	AMPS	WATTS	LUMENS
PFP4AW	Pioneer Quad 4 Lamp AC Floodlights	Lighthead only	-	White	120 AC	2.5 AC	300 watts	30,000
PFP4AB			-	Black				
PFP4AWP		Pole/Pedestal Mount	-	White				
PFP4AWP1			1 Switch					
PFP4AWP2			2 Switch					
PFP4ABP			-	Black				
PFP4AABP1			1 Switch					
PFP4AABP2			2 Switch					
PFP4AWB		Universal Side Bail Mount	-	White				
PFP4ABB		-	Black					
PCP4AW	Pioneer Quad 4 Lamp AC Flood/Spotlights	Lighthead only	-	White				
PCP4AB			-	Black				
PCP4AWP		Pole/Pedestal Mount	-	White				
PCP4AWP1			1 Switch					
PCP4AWP2			2 Switch					
PCP4ABP			-	Black				
PCP4AABP1			1 Switch					
PCP4AABP2			2 Switch					
PCP4AWB		Universal Side Bail Mount	-	White				
PCP4ABB		-	Black					

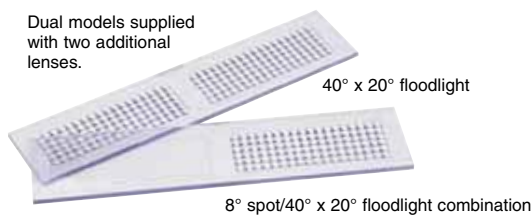
# Pioneer SlimLine™ Series Work/Scene Light

- Rugged die-cast White or Black powder coated housing.
  - Remarkably bright and rated to last thousands of hours with low amp draw.
  - Available in 12 or 24 VDC.
  - Single lamp SlimLine™ contains 12 LEDs, provides 3600 usable lumens at 35 watts.
  - Dual lamp Slim-Line contains 24 LEDs, provides 7300 usable lumens at 78.3 watts.
  - Single unit comes standard with 8° lens. Additional 40° horizontal x 20° vertical flood lens also supplied.
  - Dual unit comes standard with two 8° lenses. Two additional lenses supplied for floodlight
- dispersion of 40° horizontal x 20° vertical. 8° spot/40°flood combination spot/flood.
- Two sizes and multiple mounting options to choose.
  - Powder coated universal bail mount works for vertical or horizontal mounting.
  - Recessed housing available in straight or fixed 15° with Chrome trim ring.
  - Low profile pedestal mount models available.
  - Brow mount kit available for M2 Freightliners and all International chassis models. Center or left/right kits available. PSL2 only.
  - Five year HDP® Heavy-Duty Professional Warranty.

Single models supplied with extra 40° x 20° floodlight lens.



Dual models supplied with two additional lenses.

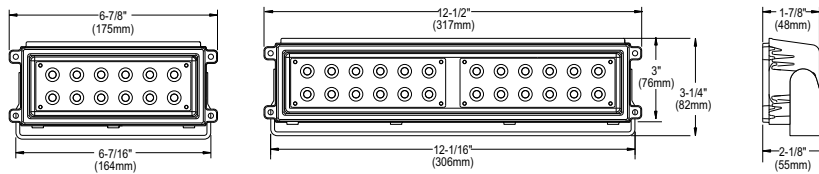
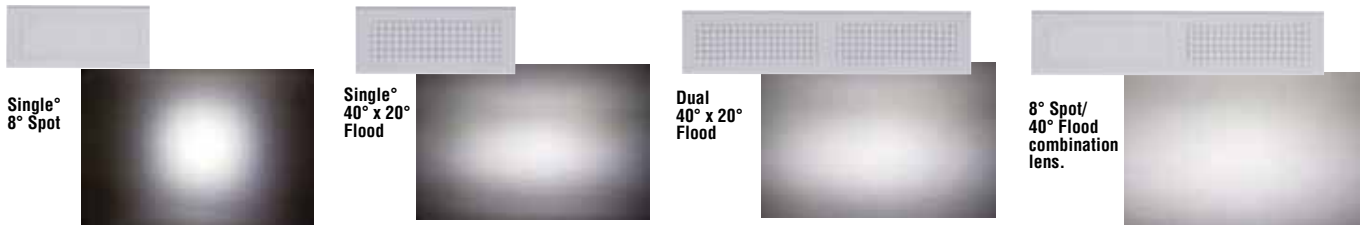


## Lighthead Included in Mounting

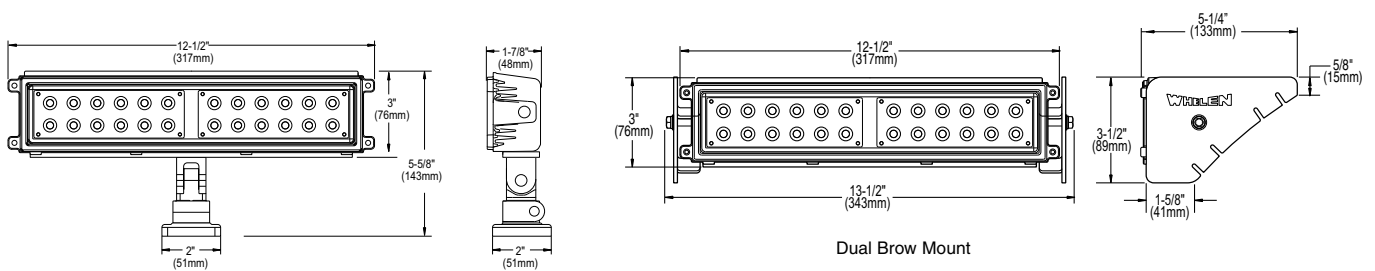
MODEL #	HOUSING	LAMP	HOUSING COLOR	VOLTS	AMPS	WATTS	LUMENS	
PSL1B	Bail/Stud	Single	White	12	3	35	3600	
PSL1BB			Black					
PSL14B			White					
PSL14BB		Black	Dual	White	12	6.1	78.3	7300
PSL2B		Black						
PSL2BB		White						
PSL24B	Black	Recessed Chrome straight flange	White	12	3	35	3600	
PSL1R	Black							
PSL1RB	White		Single	White	24	1.5	35	3600
PSL14R	Black							
PSL14RB	White			Dual	White	12	6.1	78.3
PSL2R	Black							
PSL2RB	White							
PSL24R	Black	Recessed Chrome 15° downward angled flange	White	12	3	35	3600	
PSL1R5	Black							
PSL1R5B	White		Single	White	24	1.5	35	3600
PSL14R5	Black							
PSL14R5B	White			Dual	White	12	6.1	78.3
PSL2R5	Black							
PSL2R5B	White							
PSL24R5	Black	Low profile Pedestal/swivel	White	12	3	35	3600	
PSL1P	Black							
PSL1PB	White		Single	White	24	1.5	35	3600
PSL14P	Black							
PSL14PB	White			Dual	White	12	6.1	78.3
PSL2P	Black							
PSL2PB	White							
PSL24P	Black	Dual	White	24	3	78.3	7300	
PSL24PB	Black							

## Brow mount brackets (Lighthead Purchased Separately)

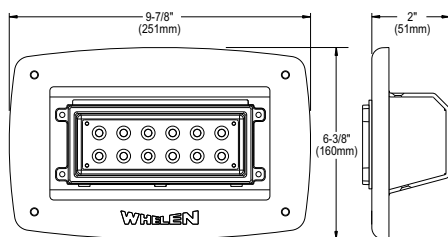
MODEL #	LAMP	MOUNT	VEHICLE DESCRIPTION	COLOR
PBSLFC	Dual SlimLine PSL2	Center mount brow bracket	M2 Freightliner	White
PBSLFCB				Black
PBSLIC			All International Chassis	White
PBSLICB				Black
PBSLFLR		Left/right side mount brow bracket	M2 Freightliner	White
PBSLFLRB				Black
PBSLILR			All International Chassis	White
PBSLILRB				Black



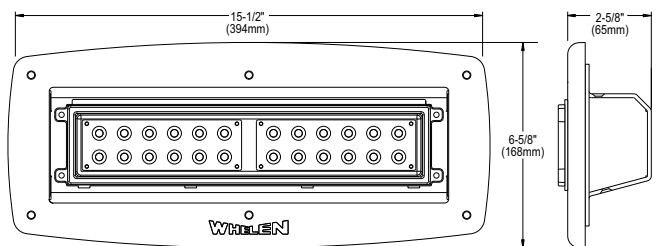
Single and Dual Bail Mount



Dual Low Profile Pedestal/Swivel Mount



Single Recessed Mount



Dual Recessed Mount

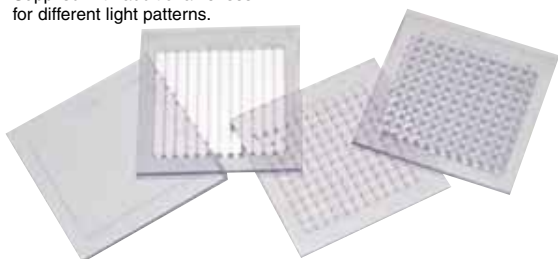
# Pioneer™ Micro Series

## Work/Scene Light

- Rugged, die-cast aluminum housing, powder coated Black or White.
- Solid-state electronics are rugged and reliable, built for the long haul.
- 8° spotlight pattern, comes standard. Includes three additional optic lenses for a light pattern choice of:  
90° x 20° wide flood  
40° x 20° flood  
40° x 8° horizontal flood
- Rated to last thousands of hours with remarkable bright light.
- Optic lens changes easily via four screws in picture frame fixture.
- Pioneer Micro Series is rated IP67 for dust and water resistance.
- Four mountings available. Light-head included with mounting.
- Powder coated stainless steel bail bracket with 3/8" stud carriage bolt mount.
- Recessed models straight or fixed 15° downward angle.
- Adjustable heavy-duty low profile pedestal/swivel available with Chrome or Black back cover, removable Black handle and On/Off switch.
- Weight: 1.7 lbs.
- Five-year HDP® Heavy-Duty Professional warranty.



Supplied with additional lenses for different light patterns.



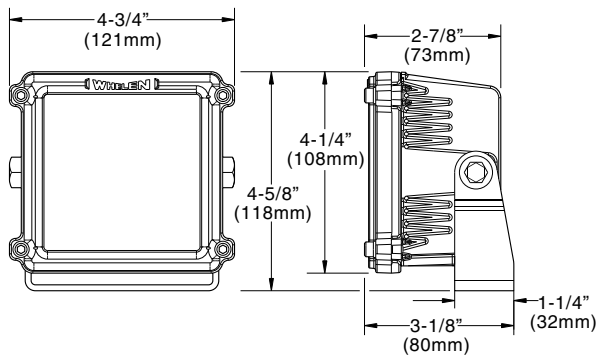
MODEL #	HOUSING	HOUSING COLOR	VOLTS	AMPS	WATTS	LUMENS
MPBW	Bail/stud	White	12	3.5	44.8	4100
MPBB		Black				
MPB4W		White	24	1.75	44.8	4100
MPB4B		Black				
MPRW	Recessed Chrome straight flange	White	12	3.5	44.8	4100
MPRB		Black				
MPR4W		White	24	1.75	44.8	4100
MPR4B		Black				
MPR15W	Recessed Chrome 15° downward angled flange	White	12	3.5	44.8	4100
MPR15B		Black				
MPR154W		White	24	1.75	44.8	4100
MPR154B		Black				
MPPW	Low profile pedestal/swivel	White	12	3.5	44.8	4100
MPPWCS		White with Chrome cover & On/Off switch	12	3.5	44.8	4100
MPPB		Black	12	3.5	44.8	4100
MPPBBS		Black with Chrome cover & On/Off switch	12	3.5	44.8	4100
MPPBCS		Black with Chrome cover & On/Off switch	12	3.5	44.8	4100
MPP4W		White	24	1.75	44.8	4100
MPP4B		Black				

### Pioneer Micro Lens and Patterns

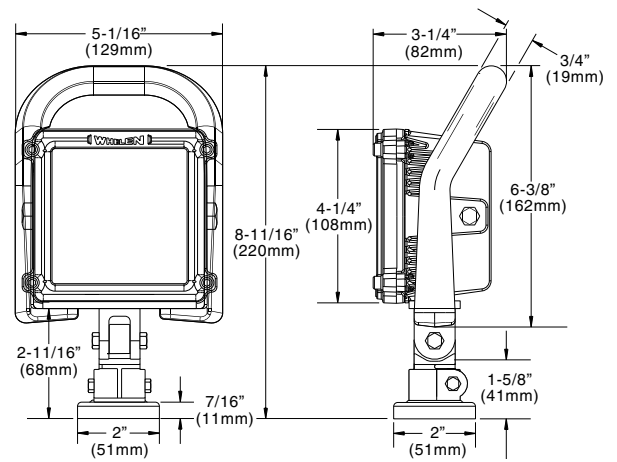


### Pioneer Micro Dimensions

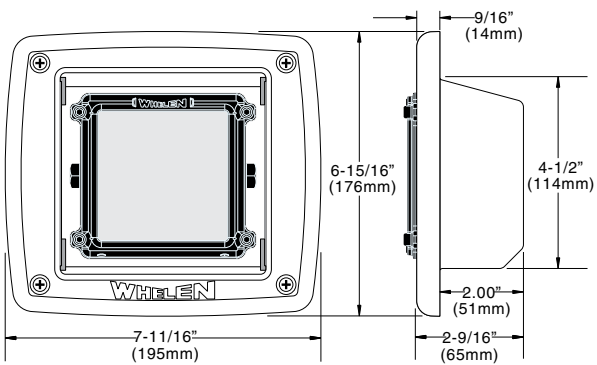
Bail Bracket



Low Profile Pedestal Swivel Mount



Recessed Mount



# Pioneer Nano<sup>TM</sup> 3 & 6 Diode Series Work/Scene Light

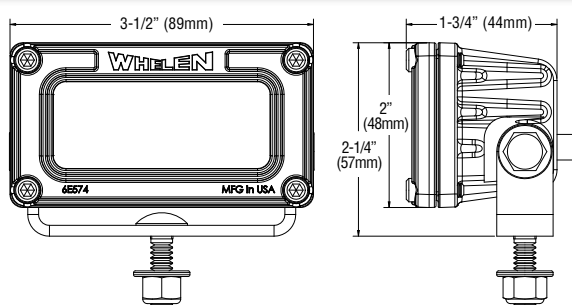
- Three and six diode models.
- Rugged, die-cast aluminum housing, powder coated Black or White.
- Solid-state electronics are rugged and reliable, built for the long haul.
- Heavy-duty housing, electronics and mounting. No need for heavy-duty models.
- 8° spotlight pattern, comes standard. Includes an additional 40° x 20° floodlight lens.
- Optic lens changes easily via four screws in picture frame fixture.
- Rated to last thousands of hours with remarkable bright light.
- Pioneer Nano Series is rated IP67 for dust and water resistance.
- Powder coated stainless steel bail bracket with 3/8" stud carriage bolt mount.
- Five-year HDP<sup>®</sup> Heavy-Duty Professional warranty.

## Pioneer Nano 3



NP3BW

MODEL #	HOUSING	HOUSING COLOR	VOLTS	AMPS	WATTS	LUMENS
NP3BW	Bail/stud	White	12	1	12.8	1100
NP3BB		Black				

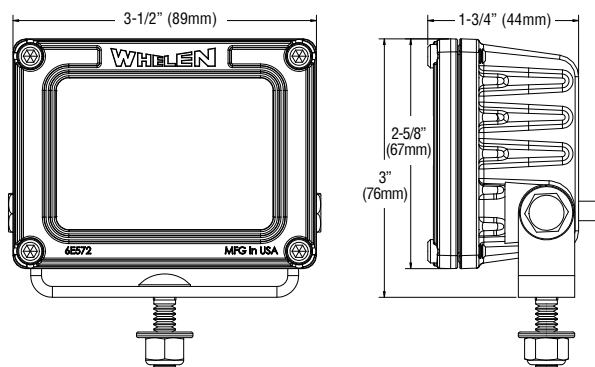


## Pioneer Nano 6



NP6PW

MODEL #	HOUSING	HOUSING COLOR	VOLTS	AMPS	WATTS	LUMENS
NP6BW	Bail/stud	White	12	1.5	19.6	1800
NP6BB		Black				
NP6B4W		White	25.6	.75	19.6	
NP6B4B		Black				



### Nano 3



8° Spotlight supplied on lighthouse

Additional 40° x 20° floodlight lens.

### Nano 6



8° Spotlight supplied on lighthouse

Additional 40° x 20° floodlight lens.

## 3000 & 3100 Series Pole Mounting Options

(Lighthouse Purchased Separately)

- Rugged 57" extruded anodized aluminum AC and DC adjustable pole assemblies.
- Side and Thru Body mount versions.
- Three conductor internal wire input for AC/four conductor for DC models.
- Side mount poles available in 12, 20, 30, 35 & 40 inch outer bodies, pole assembly.
- Outer body certified to NFPA 15.8 Access hand rails or hand holds.
- Optional lower side mount cradle bracket or internal top mount or bottom mount with electro-magnetic sensor indicates if the pole has been seated properly into the cradle for travel (Customer supplied warning indicator light).
- Requires Pioneer with pole/pedestal mount adapter (purchased separately).
- Silver powder coated non-adjustable stand-off mounting brackets available in 2", 3", 5" and 7".
- Custom pole lengths available. Download Pioneer Designer Program to design custom pole assemblies.
- Five-year HDP® Heavy-Duty Professional warranty.

### Side mount stand-off mounting brackets



### Bottom mount lower cradle sensor



Electro-magnetic sensor indicates pole has been seated correctly into cradle for travel.

### Side mount internal sensor

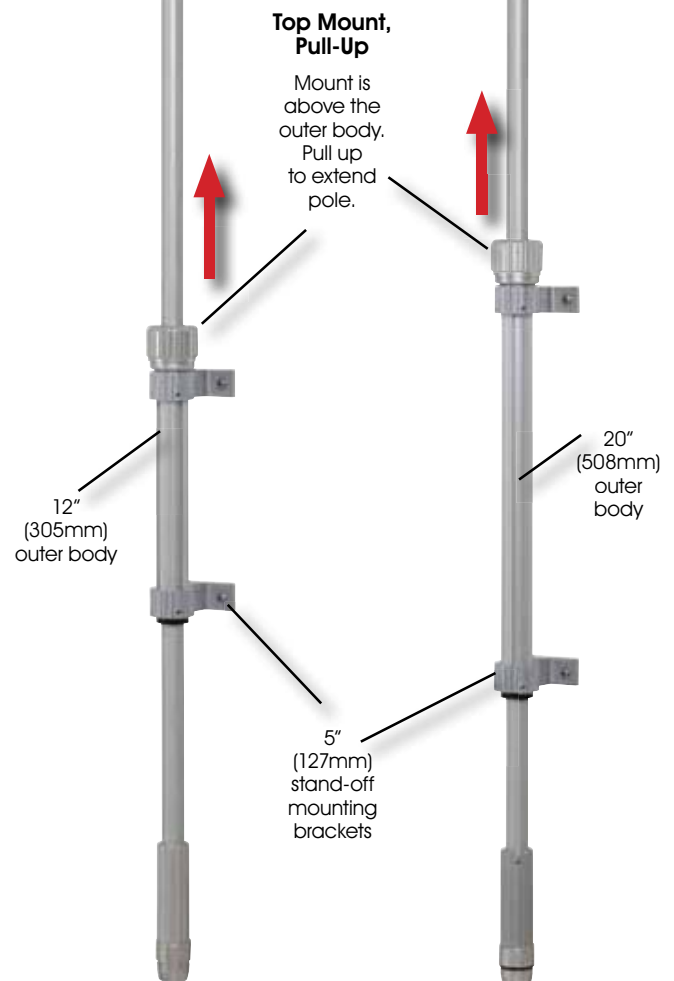


Side mount

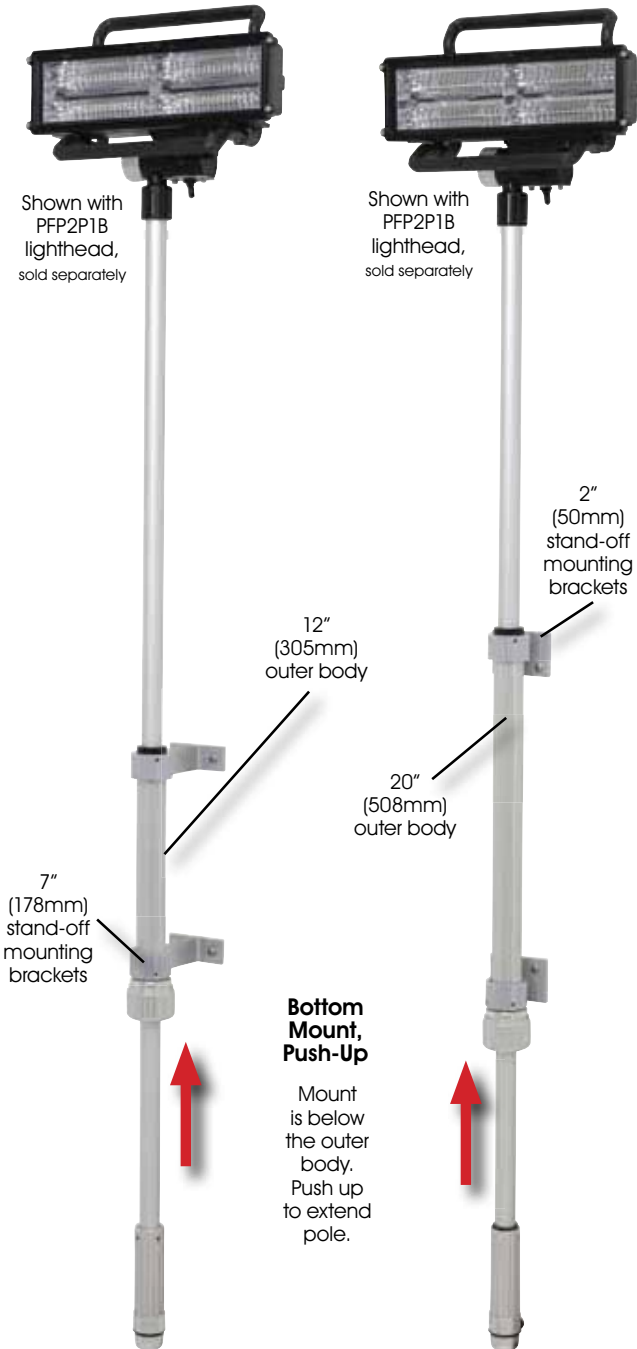


For models numbers on Pioneer pole assemblies, please request Pioneer Pole Price List or download our Pioneer Designer Program.

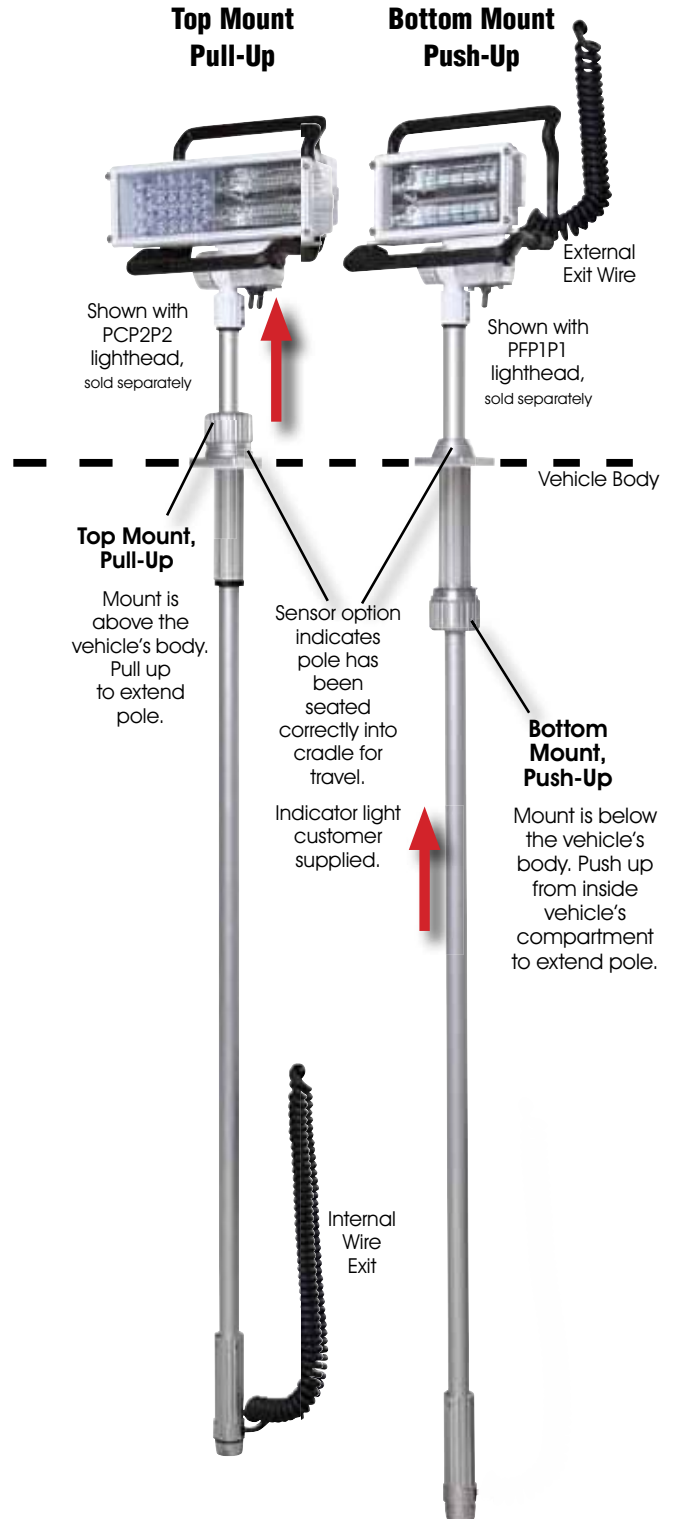
## 3000 Series - 57" Side Mount Pole Assemblies Top Mount - Pull-Up



### 3000 Series - 57" Side Mount Pole Assemblies Bottom Mount - Push-Up



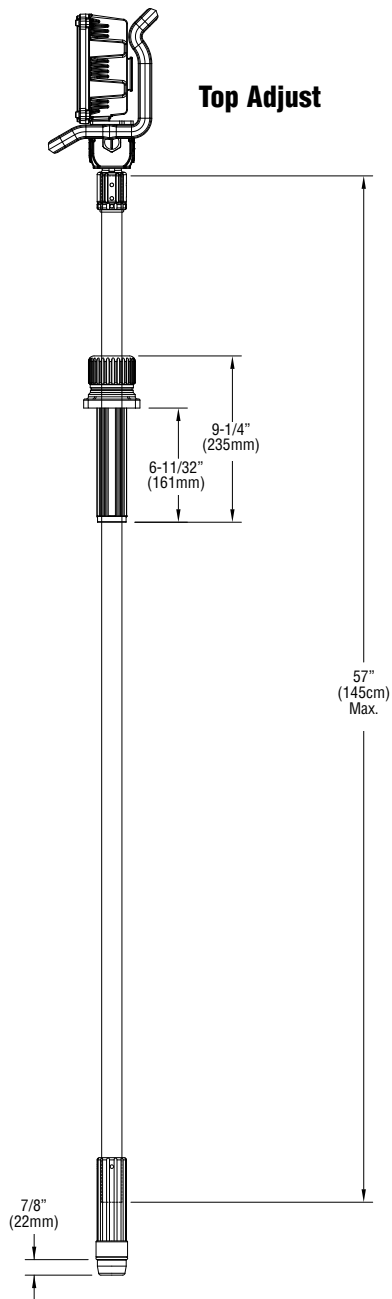
### 3100 Series - 57" Thru Mount Pole Assemblies





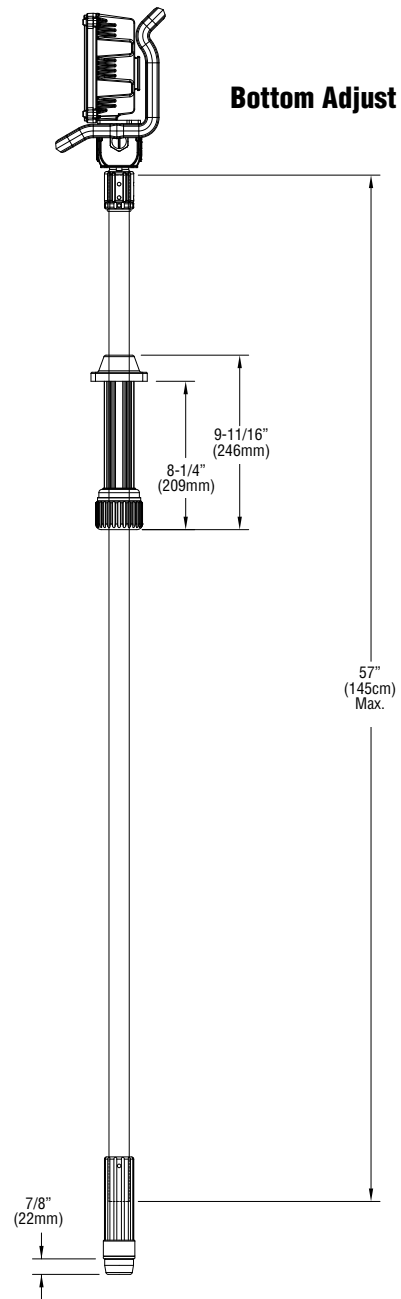


## 3100 Series - Thru Body Pole Dimensions



$$\begin{aligned} \text{Maximum Travel} &= \text{Pole Length} - (\text{Mount body length} + \text{Insertion}) \\ &= 57.00" - (9.24 + 2.01 + 2.48) \\ &= 43.27" \end{aligned}$$

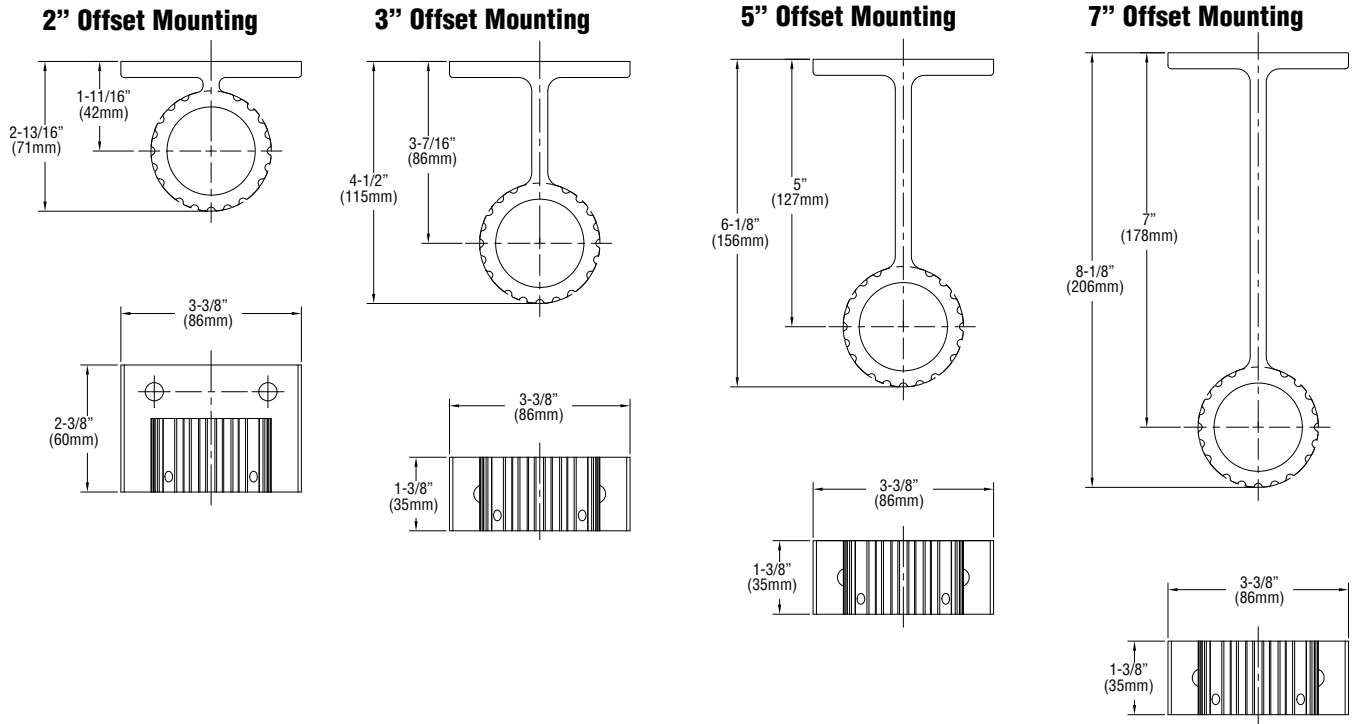
$$\begin{aligned} \text{Minimum Pole Length} &= \text{Mount body length} - \text{Insertion} \\ &= 9.24" + (2.01 + 2.48") \\ &= 13.73" \\ &= 14.00" \end{aligned}$$



$$\begin{aligned} \text{Maximum Travel} &= \text{Pole Length} - (\text{Mount body length} + \text{Insertion}) \\ &= 57.00" - (9.69 + 2.01 + 2.48) \\ &= 43.27" \end{aligned}$$

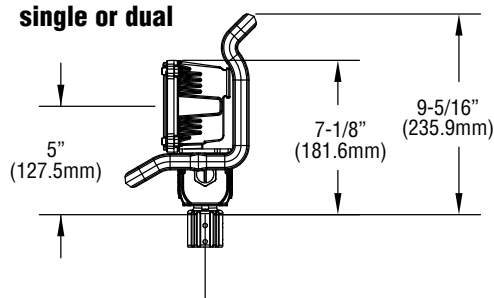
$$\begin{aligned} \text{Minimum Pole Length} &= \text{Mount body length} - \text{Insertion} \\ &= 9.69" + (2.01 + 2.48") \\ &= 14.18" \\ &= 15.00" \end{aligned}$$

## 3000 Series - Side Mount Bracket Dimensions

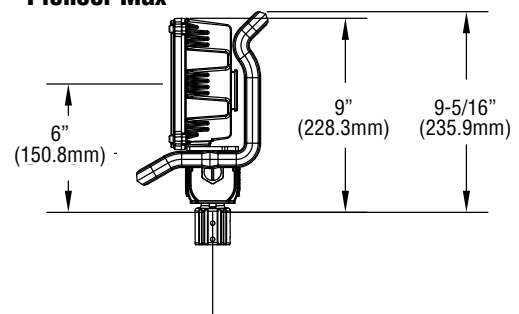


## Lighthouse Option Dimensions for all Pioneer Poles and Tripods

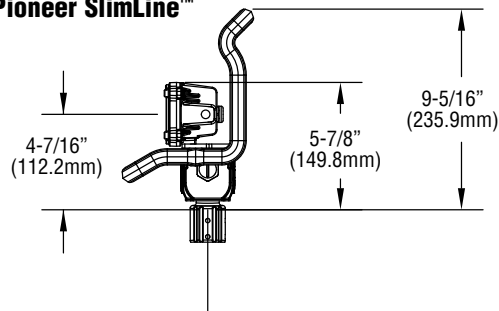
**Pioneer Micro™  
single or dual**



**Pioneer Max™**



**Pioneer SlimLine™**

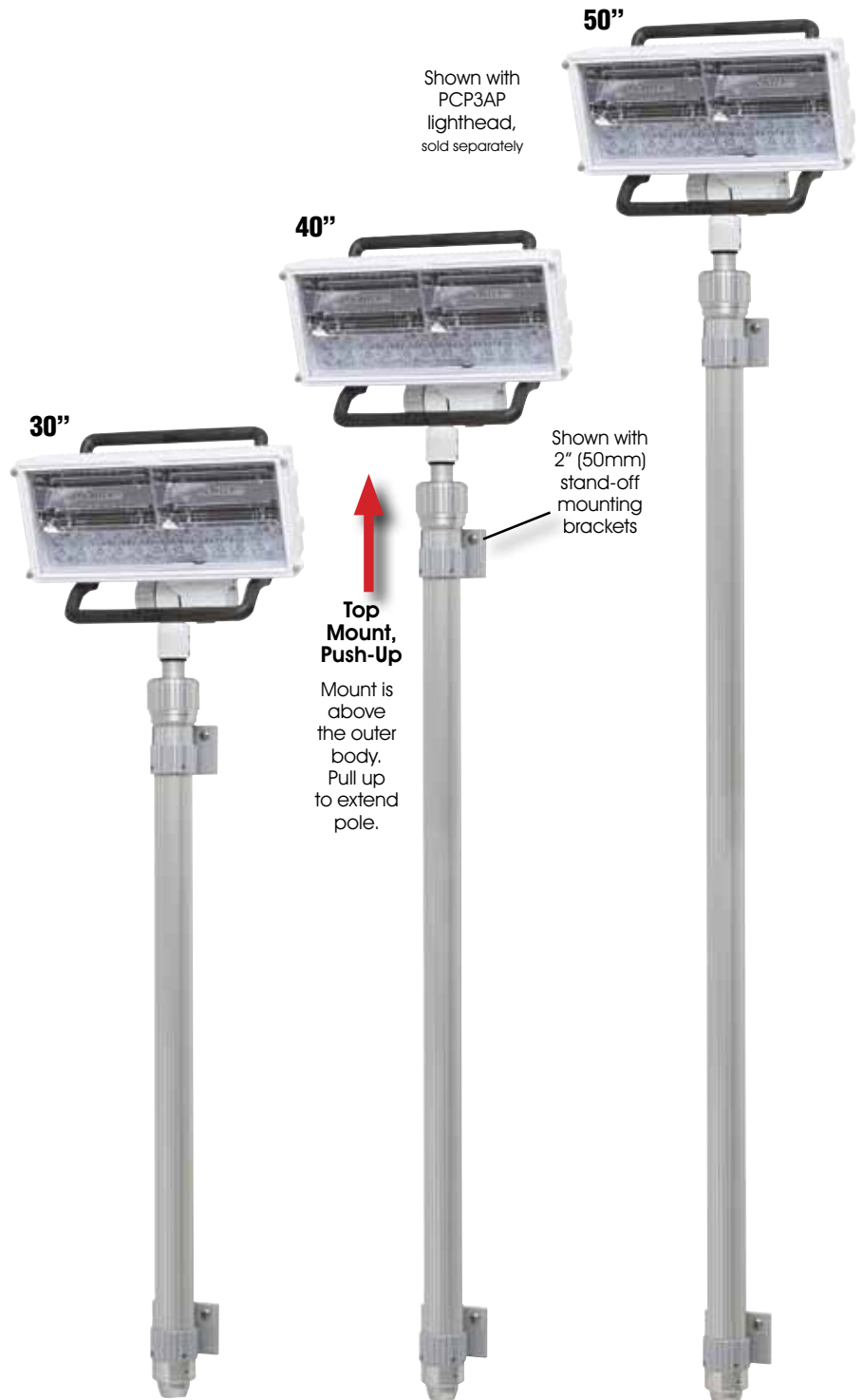


## 3050 Series Pole Mounting Options

(Lighthouse Purchased Separately)

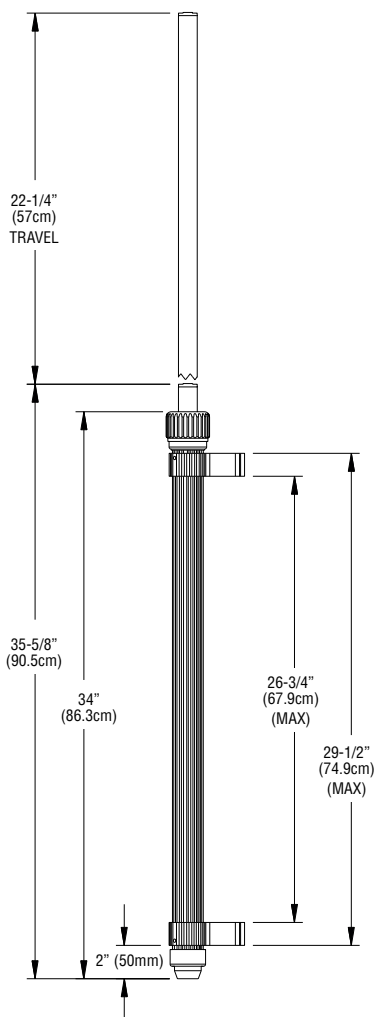
- Rugged extruded aluminum AC pole assemblies.
- Side mount with silver powder coated non-adjustable stand-off mounting brackets available in 2", 3", 5" and 7."
- Top mount (pull up).
- Available in 30" (76cm), 40" (101.6cm), and 50" (127cm) lengths.
- Three conductor internal wire input.
- Poles and outer bodies anodized to eliminate corrosion and yellowing.
- Requires Pioneer with pole/pedestal mount adapter (purchased separately).
- Five-year HDP® Heavy-Duty Professional warranty.

## 3050 Series - 30", 40" & 50" Side Mount Telescoping Pole Assemblies Top Mount - Pull-Up

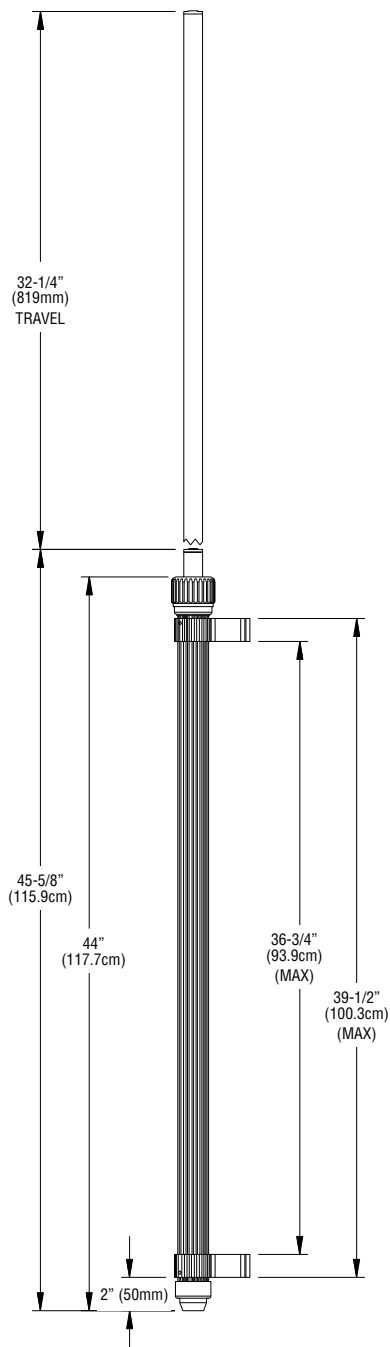


## 3050 Series - Side Mount Pole Dimensions

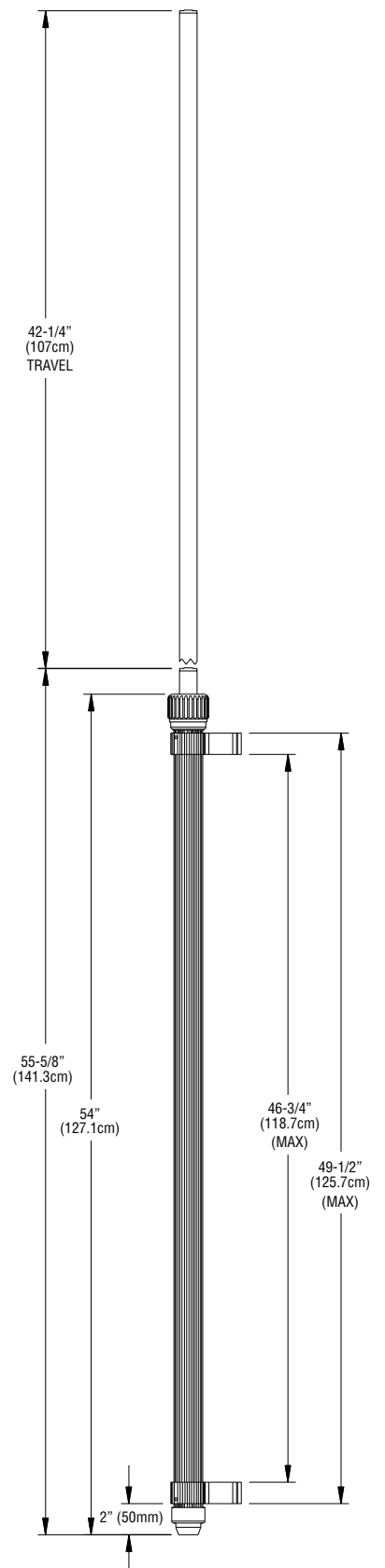
### 30" - Telescoping Pole



### 40" - Telescoping Pole



### 50" - Telescoping Pole



## 3200 Series Folding Tripod AC Pole Assemblies (Lighthouse Purchased Separately)

- Rugged extruded aluminum AC tripod assemblies.
- Large 50", medium 40" and small 30" models.
- Tripod models available are:

Wireless for use with ground tripod.

With inner coil cord without plug.

With inner coil cord with plug.

With loose external coil cord for top wire exit with plug.

With loose coil cord for external top wire exit without plug.

All moving aluminum parts are isolated with nylon bushings for superior industry leading adjustment and fold outs.

All inner poles, outer bodies and folding legs are anodized to eliminate corrosion and yellowing.

- Requires Pioneer™ with pole/pedestal mount adapter (purchased separately).
- Optional tripod mounting cradle bracket with upper quick disconnect mount bracket (Model 87283001).
- Optional ground tripod mounting bracket for all folding tripods (Model 87283002).
- Five-year HDP® Heavy-Duty Professional warranty.



## 3300 Series Ground Tripods (Lighthouse Purchased Separately)

(Lighthouse Purchased Separately)

- Rugged White powder coated cast aluminum AC portable ground tripod.
- Requires Pioneer with pole/pedestal mount adapter (purchased separately).
- Includes stationary quick disconnect mount.
- Supplied with 12" cable.
- Available with optional plug.
- Five-year HDP® Heavy-Duty Professional warranty.



Models shown with Pioneer lightheads, purchased separately. Shown with optional plug.

**Large 50"**



**Medium 40"**

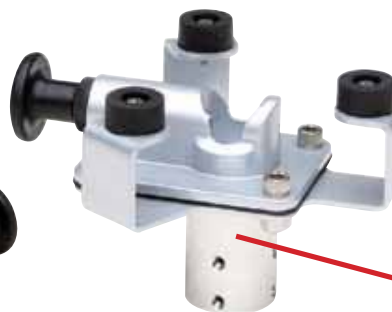


**Small 30"**



Underneath side showing pin that recesses into stationary quick disconnect mount, included with ground tripod for secure storage.

Quick disconnect mount attaches to ground tripod.



Optional Model 87283002 ground tripod mount includes quick disconnect for 3200 Series folding tripod.

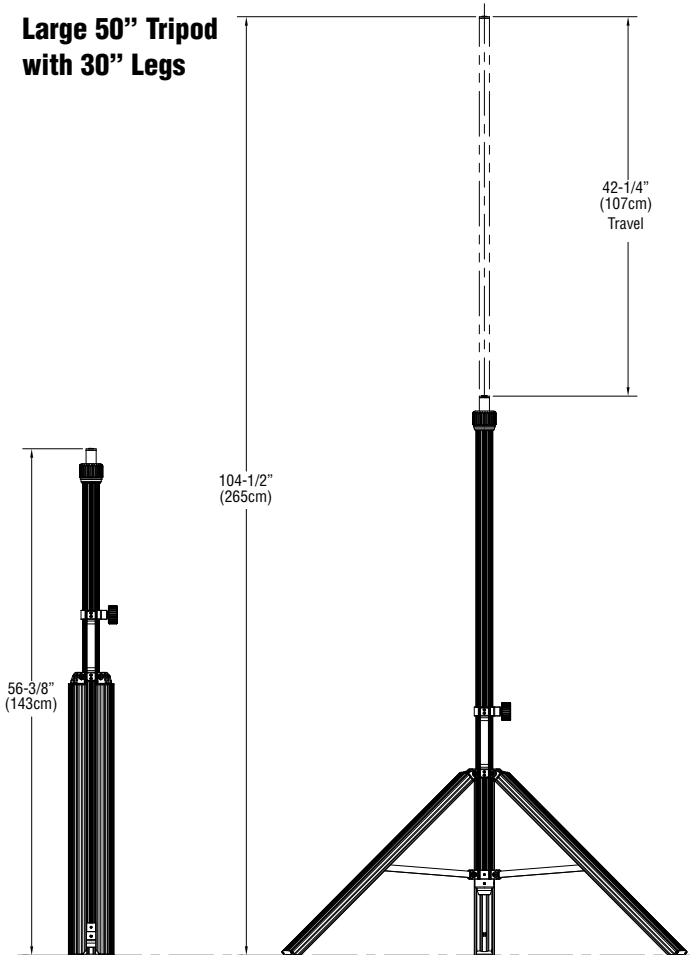


Finished assembly of ground tripod mounted on top of folding tripod pole with ground tripod mount.

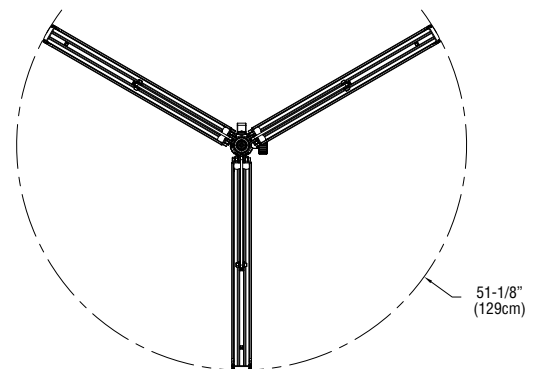
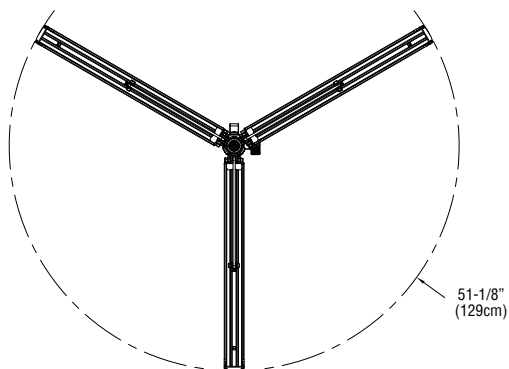
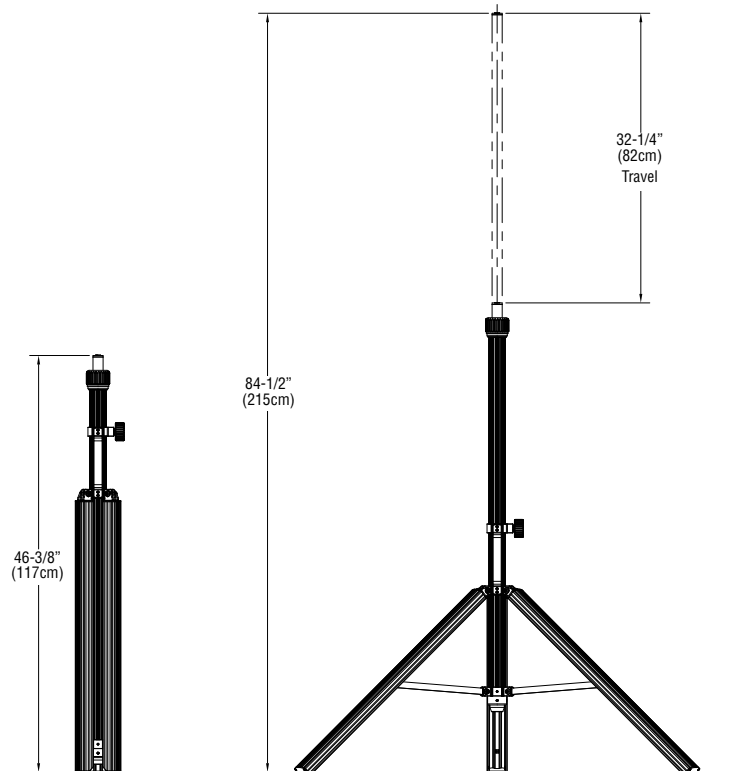
# 3200 Series Folding Tripod Dimensions



**Large 50" Tripod  
with 30" Legs**

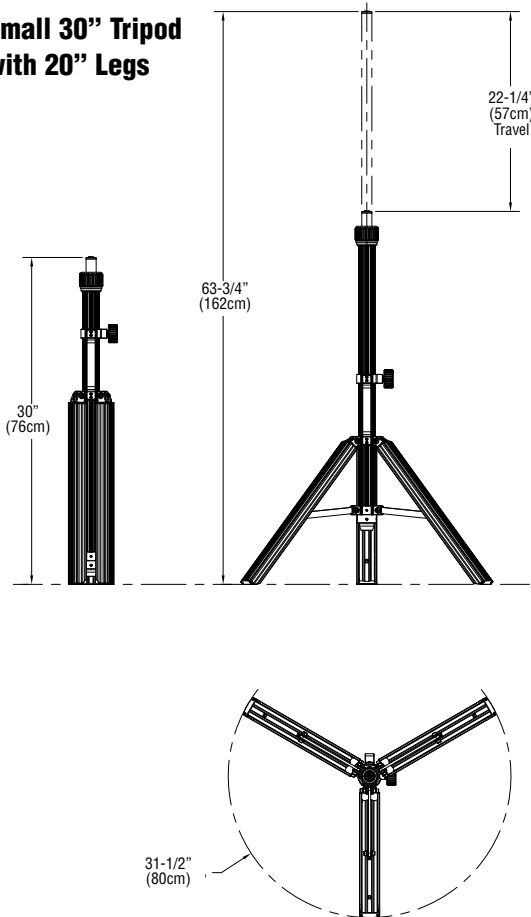


**Medium 40" Tripod  
with 30" Legs**

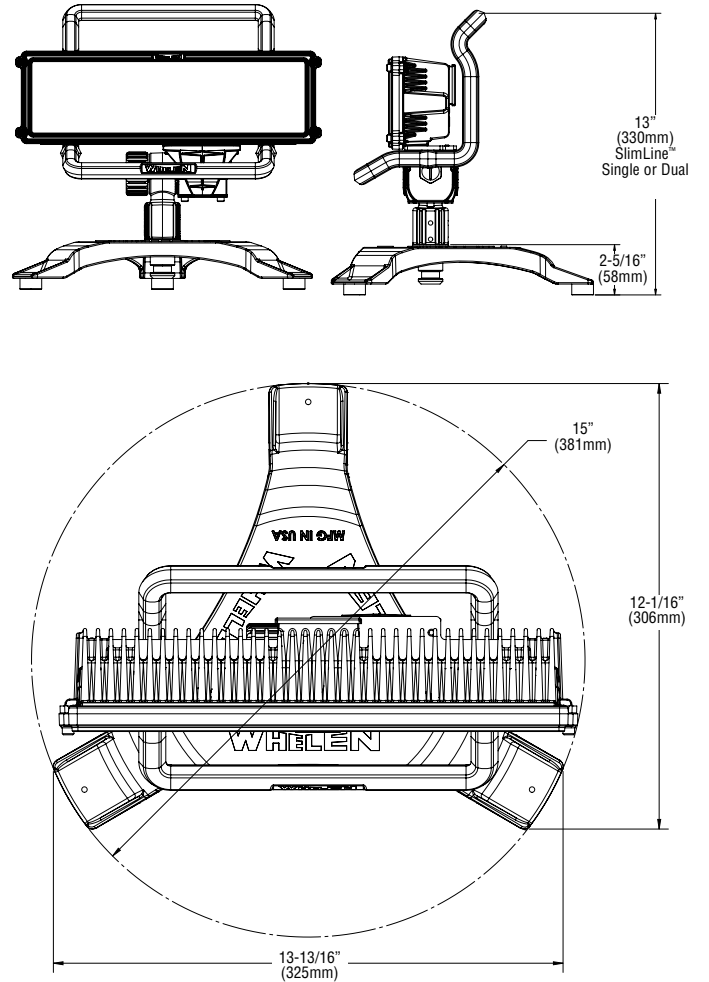




### Small 30" Tripod with 20" Legs



## 3300 Series Ground Tripod Dimensions



## Pioneer™ Designer Program

Build or customize your Pioneer lighthead mounting with "Whelen's Pioneer Designer" download from our website, [www.whelen.com](http://www.whelen.com) (1). From the home page, go to **Tech Support and Downloads** (2). Choose **Pioneer Designer** and click on download (3). Pioneer Designer lets you pick and choose options and enter custom pole and lighthead requirements (4).



# Floodlight & Spotlight Comparisons

PIONEER & PIONEER PLUS

**Pioneer™ Max PCP3 @ 200' (210.4w - 16.5amp - 20,000 Lumens)**



**Pioneer Dual PFA2 @ 100' (78.1w - 6amp - 7400 Lumens)**



**Pioneer Plus™ 2° Spotlight PTP1 @ 100' (83.2w - 6.5amp - 8000 Lumens)**



**Pioneer™ Single PFA1 @ 100' (39.7w - 3.1amp - 3700 Lumens)**



QUARTZ HALOGEN & HID

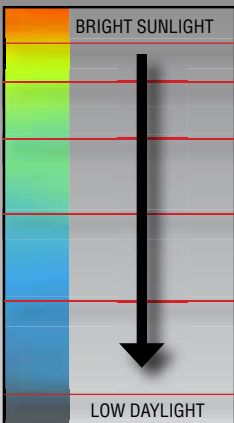
**Quartz Halogen Single Lamp @ 100' (150w - 13amp)**



**Quartz Halogen Single Lamp @ 100' (300w - 24amp)**



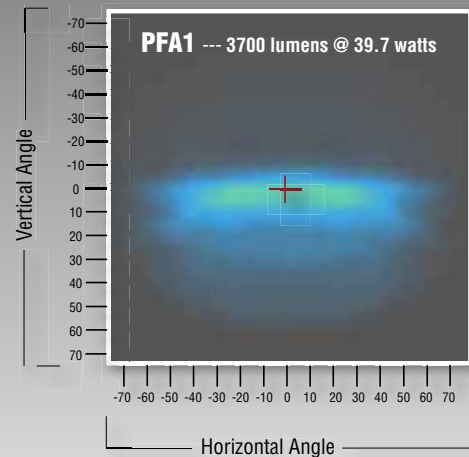
## Pioneer Series Isocandela Plots



Luminous Intensity in units of Candela is the energy emitted in one direction perceived by the human eye, & Luminous Flux in units of Lumens is the total energy emitted in all directions perceived by the human eye.

These isocandela plots show usable light intensities at horizontal and vertical angles up and down. The red cross hairs represent the viewpoint of the observer at zero degrees vertical and horizontal. The colors indicate intensities of the light output. The warmer the colors, the more intense the light output.

Pioneer Plus color temperatures reach 6,000 degree Kelvin, which simulates mid-day light.



**Pioneer Plus™ Single PFP1 @ 100' (83.2w - 6.5amp - 8100 Lumens)**



**Pioneer Plus Dual PFP2 @ 100' (166.4w - 13amp - 16000 Lumens)**



**Pioneer Plus 8° Spotlight PSP1 @ 100' (75w - 6.5amp - 8000 Lumens)**



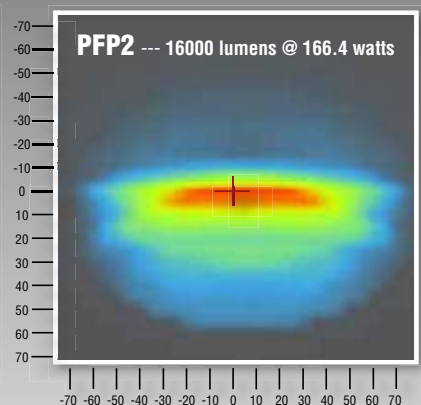
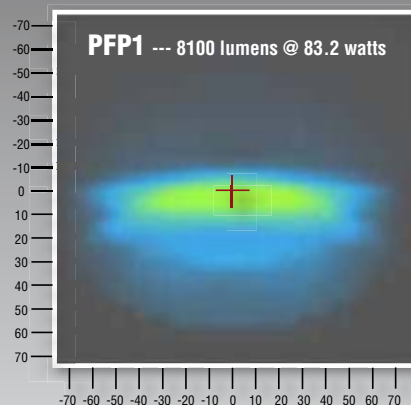
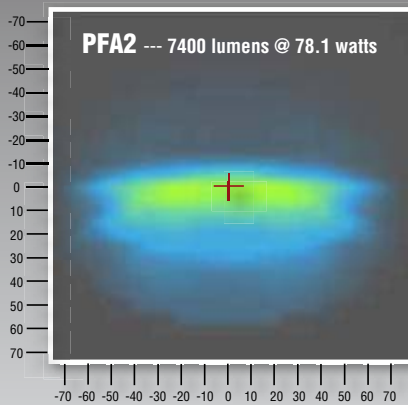
**Pioneer Plus Comb. Spot/flood PCP2 @ 100' (150w - 12amp - 16000 Lumens)**



**HID Single Lamp @ 100' (70w - 6amp)**



**HID Single Lamp @ 100' (150w - 12amp)**



# Floodlight & Spotlight Comparisons

## PIONEER MICRO™ @ 100' DISTANCE

**Pioneer Micro 90° x 20° Wide Floodlight (45w - 3.5amp- 4000 Lumens)**



**Pioneer Micro 40° x 8° Horizontal Floodlight (45w - 3.5amp- 4000 Lumens)**



**Pioneer Micro 40° x 20° Floodlight (45w - 3.5amp - 4000 Lumens)**



**Pioneer Micro 8° Spotlight (45w - 3.5amp - 4000 Lumens)**



## DUAL PIONEER SLIMLINE™ @ 100' DISTANCE

**Pioneer SlimLine Dual 40° x 20° Combo Spot/Floodlight (78.3w - 6.1amp - 7300 Lumens)**



**Pioneer SlimLine Dual 40° x 20° Wide Floodlight (78.3w - 6.1amp - 7300 Lumens)**



**Pioneer SlimLine Dual 8° Wide Spotlight (78.3w - 6.1amp - 7300 Lumens)**



### SINGLE PIONEER SLIMLINE™ @ 100' DISTANCE

**Pioneer SlimLine Single 40° x 20° Floodlight**  
(39.2w - 3amp - 3600 Lumens)



**Pioneer SlimLine Single 8° Spotlight**  
(39.2w - 3amp - 3600 Lumens)



### DUAL PIONEER SLIMLINE @ 200' DISTANCE

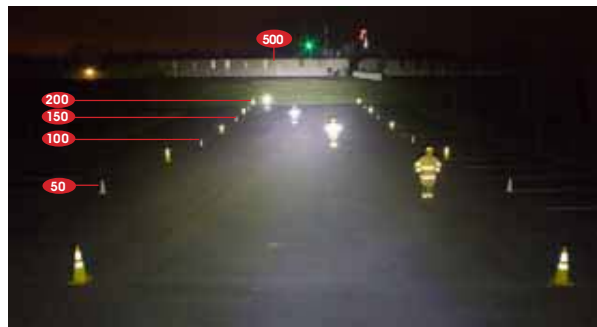
**Pioneer SlimLine Dual 40° x 20° Combo Spot/Floodlight**  
(78.3w - 6.1amp - 7300 Lumens)



**Pioneer SlimLine Dual 40° x 20° Wide Floodlight**  
(78.3w - 6.1amp - 7300 Lumens)

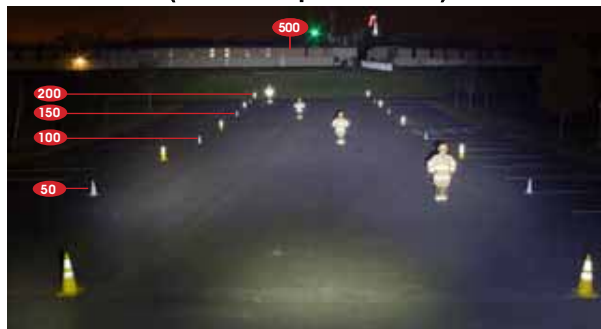


**Pioneer SlimLine Dual 8° Wide Spotlight**  
(78.3w - 6.1amp - 7300 Lumens)

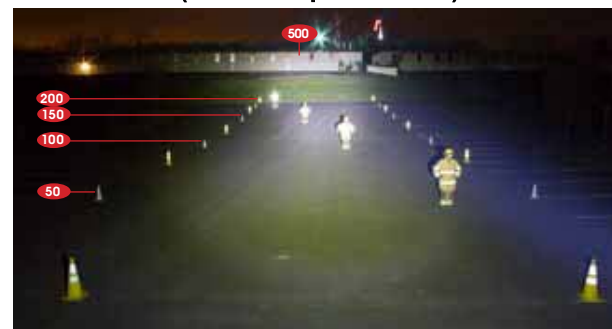


### SINGLE PIONEER SLIMLINE @ 200' DISTANCE

**Pioneer SlimLine Single 40° x 20° Floodlight**  
(39.2w - 1.5amp - 3600 Lumens)



**Pioneer SlimLine Single 8° Spotlight**  
(39.2w - 1.5amp - 3600 Lumens)



# Floodlight & Spotlight Comparisons

## PIONEER NANO™ 3 @ 50' DISTANCE

**Pioneer Nano 3 - 40° x 20° Wide Floodlight**  
(12.8w - 1amp- 1100 Lumens)



**Pioneer Nano 3 - 8° Spotlight**  
(12.8w - 1amp- 1100 Lumens)



## PIONEER NANO 6 @ 50' DISTANCE

**Pioneer Nano 6 - 40° x 20° Wide Floodlight**  
(19.6w - 1.5amp- 1800 Lumens)



**Pioneer Nano 6 - 8° Spotlight**  
(19.6w - 1.5amp- 1800 Lumens)



## SINGLE PIONEER SURFACE MOUNT @ 200' DISTANCE

**Pioneer Surface Mount - Single - 5° X 90° Flood/Spotlight  
(76w - 6amp - 8000 Lumens)**



**Pioneer Surface Mount - Single - 5° X 90° Flood/Spotlight -PROFILE SHOT  
(76w - 6amp - 8000 Lumens)**



## DUAL PIONEER SURFACE MOUNT @ 200' DISTANCE

**Pioneer Surface Mount - Dual - 5° X 90° Spot/Floodlight  
(154w - 12amp - 16,000 Lumens)**



**Pioneer Surface Mount - Dual - 5° X 90° Spot/Floodlight- PROFILE SHOT  
(154w - 12amp - 16,000 Lumens)**



## PIONEER QUAD™ 4-LAMP - 120 AC- @ 200' DISTANCE

**Pioneer Quad 5° x 90° Spot/Floodlight  
(300w - 2.4ampAC - 30,000 Lumens)**



# **WHELEN<sup>®</sup>**

**ENGINEERING COMPANY, INC.**

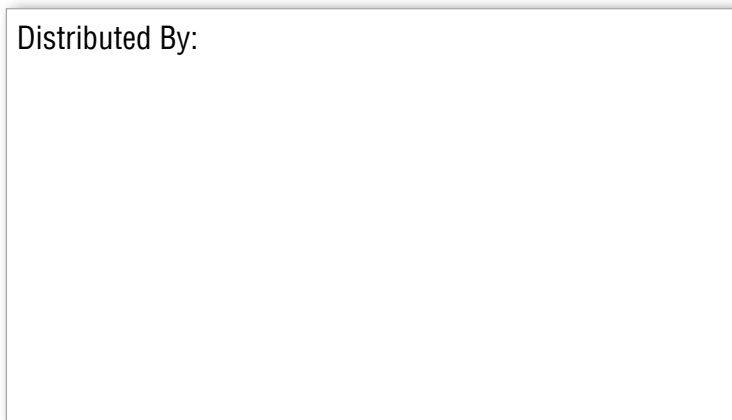
51 Winthrop Road  
Chester, Connecticut 06412-0684  
(860) 526-9504 • Fax: (860) 526-4078

**[www.whelen.com](http://www.whelen.com)**

**American Employees, American Manufacturing, American Pride!**

ISO 9001:2008 Registered QMS

Distributed By:



UL<sup>®</sup> is a registered trademark of Underwriters Laboratories Inc.  
Whelen reserves the right to upgrade and improve products without notice.